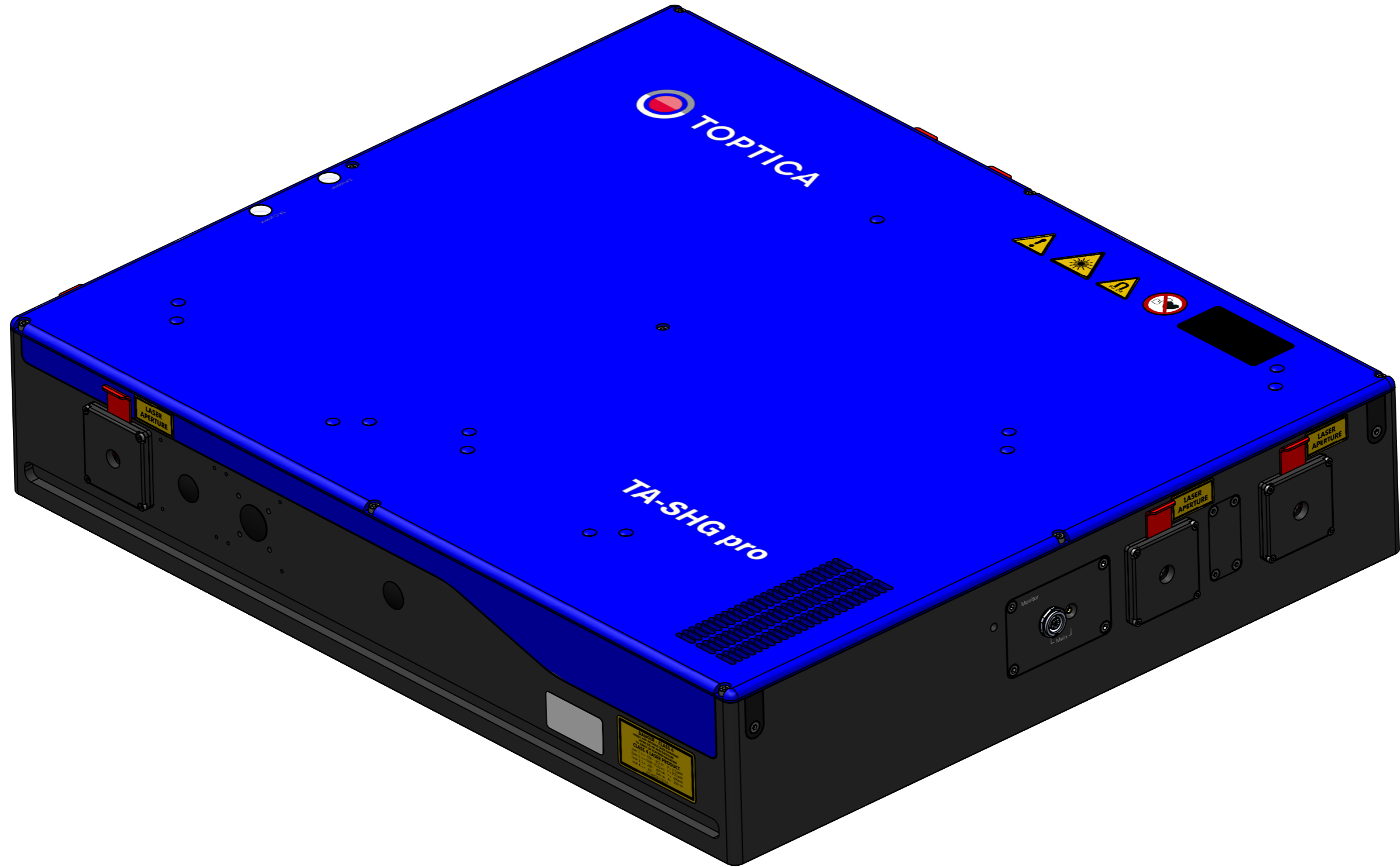


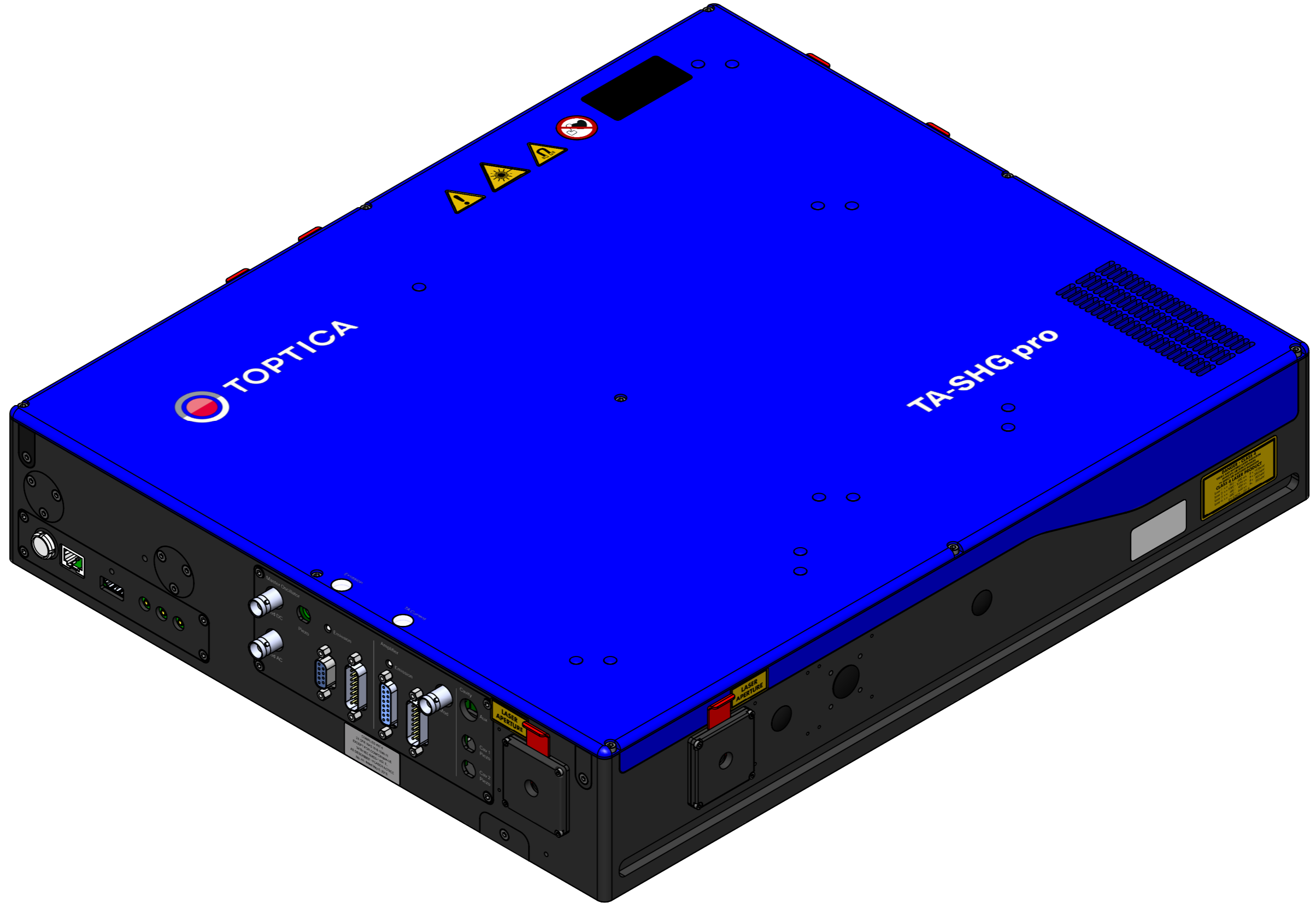




NOTE: This document is property of the company TOPTICA Photonics AG. All copyrights, trademarks, patents and other rights in connection herewith are expressly reserved to the company TOPTICA Photonics AG and no license is created hereby.



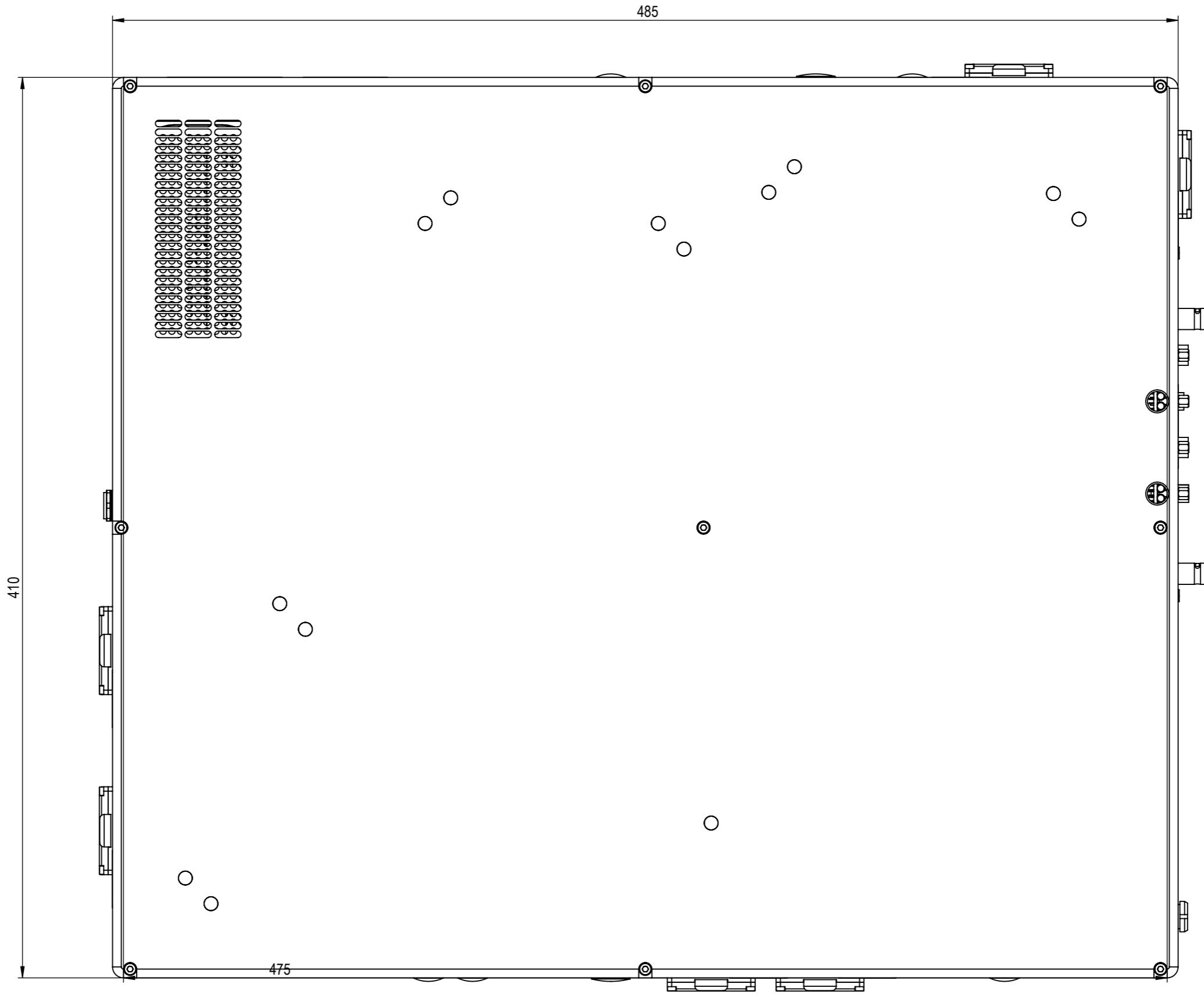
		title		scale
		TA-SHG pro / MSHG pro		1:2
<small>TOPTICA Photonics AG Tel.: 089-85837-0 Lochhamer Schlag 19 Fax.: 089-85837-200 82166 Grafelfing Web: www.toptica.com</small>		format		A3
dimensions are in mm	general tolerance	projection	date	sheet
view 3D	DIN ISO 2768 - fH		28.05.2024	1/12



NOTE: This document is property of the company TOPTICA Photonics AG. All copyrights, trademarks, patents and other rights in connection herewith are expressly reserved to the company TOPTICA Photonics AG and no license is created hereby.



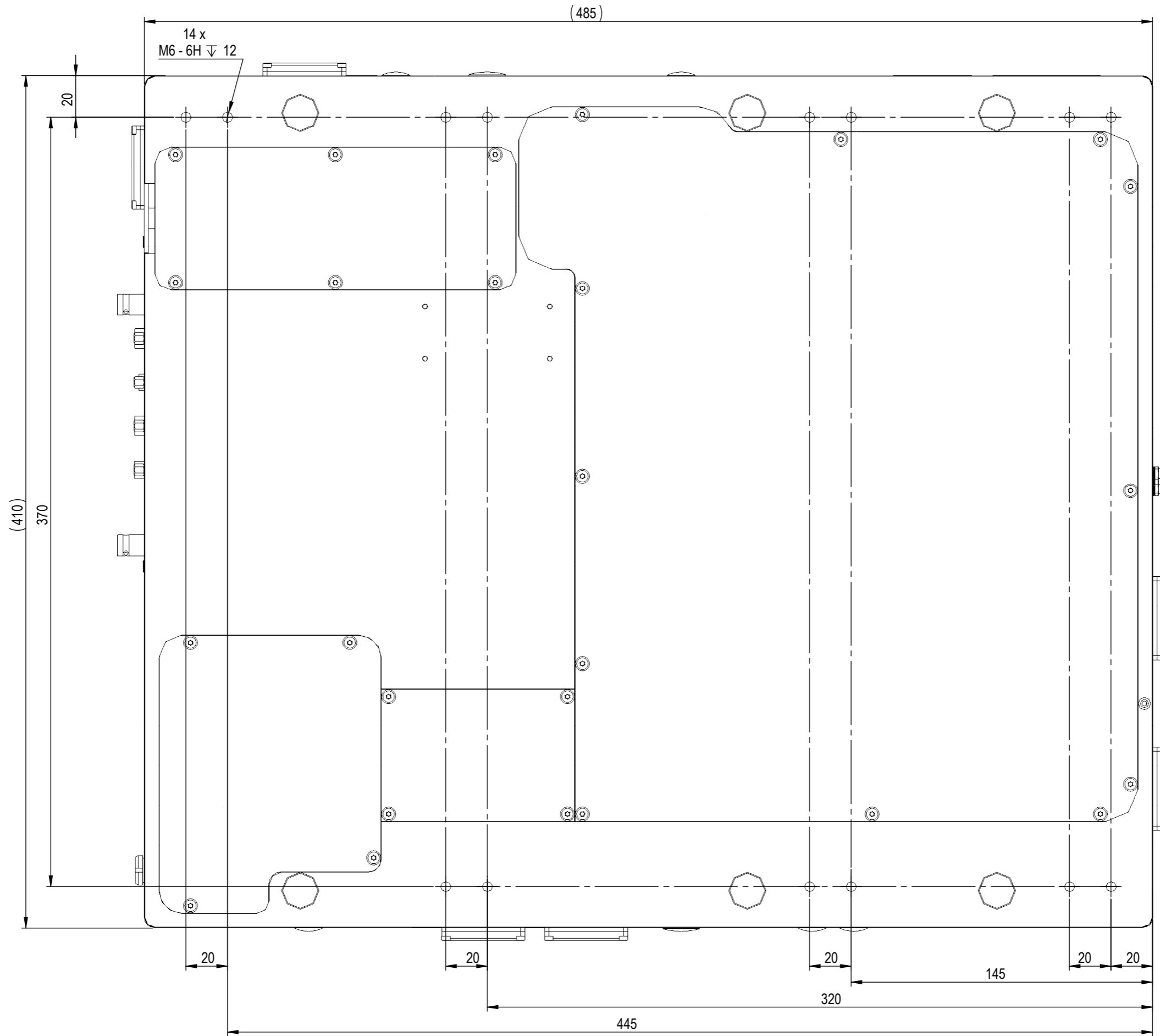
		title		scale
		TA-SHG pro / MSHG pro		1:2
<small>TOPTICA Photonics AG Tel.: 089-85837-0 Lochhamer Schlag 19 Fax.: 089-85837-200 82166 Grafelfing Web: www.toptica.com</small>		format		A3
dimensions are in mm	general tolerance	projection	date	sheet
view 3D	DIN ISO 2768 - fH		28.05.2024	2/12


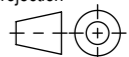
NOTE: This document is property of the company TOPTICA Photonics AG. All copyrights, trademarks, patents and other rights in connection herewith are expressly reserved to the company TOPTICA Photonics AG and no license is created hereby.



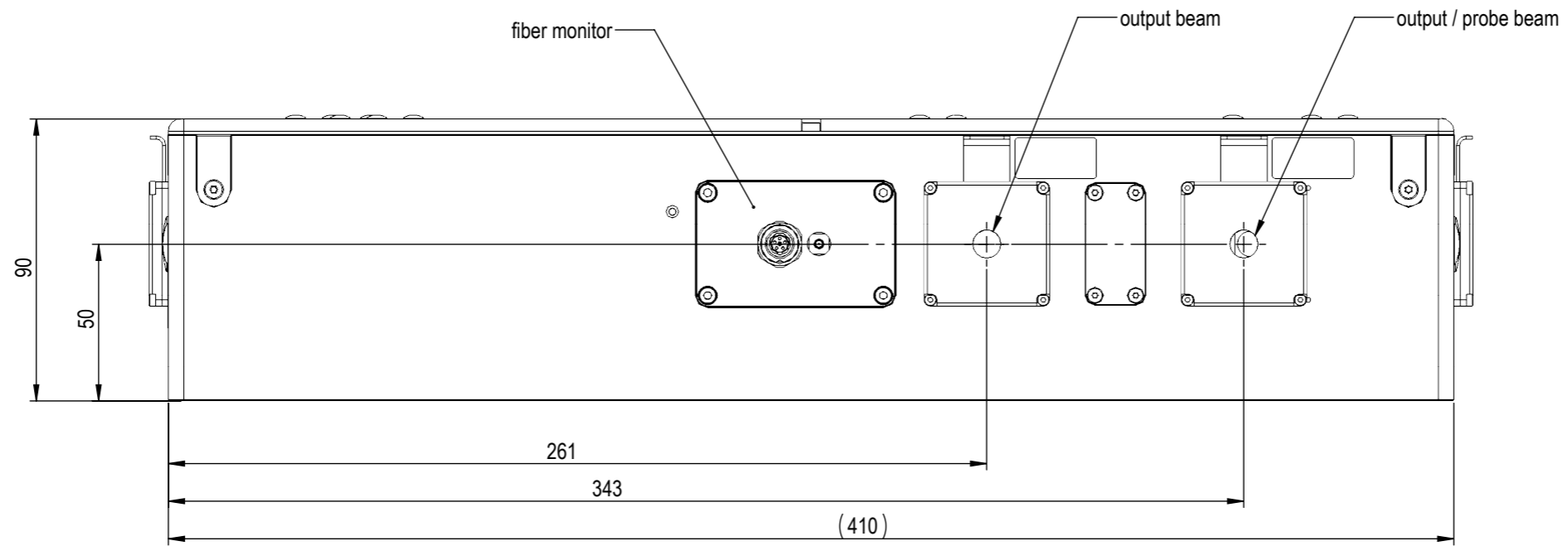
	title		scale
	TA-SHG pro / MSHG pro		1:2
<small>TOPTICA Photonics AG Tel.: 089-85837-0 Lochhamer Schlag 19 Fax.: 089-85837-200 82166 Grafelfing Web: www.toptica.com</small>	general tolerance	projection	format
dimensions are in mm	DIN ISO 2768 - fH		A3
view TOP	date	28.02.2024	sheet
			3/12


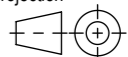
NOTE: This document is property of the company TOPTICA Photonics AG. All copyrights, trademarks, patents and other rights in connection herewith are expressly reserved to the company TOPTICA Photonics AG and no license is created hereby.



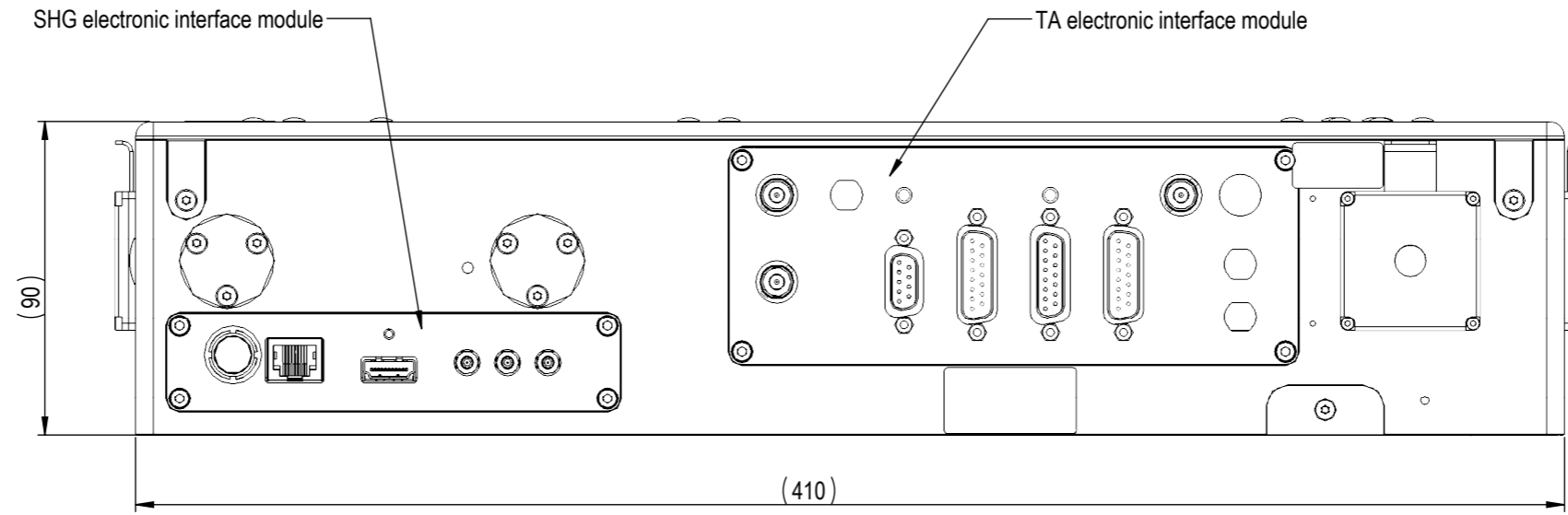
	title		scale
	TA-SHG pro / MSHG pro		1:2
<small>TOPTICA Photonics AG Tel.: 089-85837-0 Lochhamer Schlag 19 Fax.: 089-85837-200 82166 Grafelfing Web: www.toptica.com</small>	dimensions are in mm	general tolerance	format
view	BOTTOM	DIN ISO 2768 - fH	A3
		projection	sheet
			4/12
		date	
		28.05.2024	


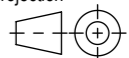
NOTE: This document is property of the company TOPTICA Photonics AG. All copyrights, trademarks, patents and other rights in connection herewith are expressly reserved to the company TOPTICA Photonics AG and no license is created hereby.



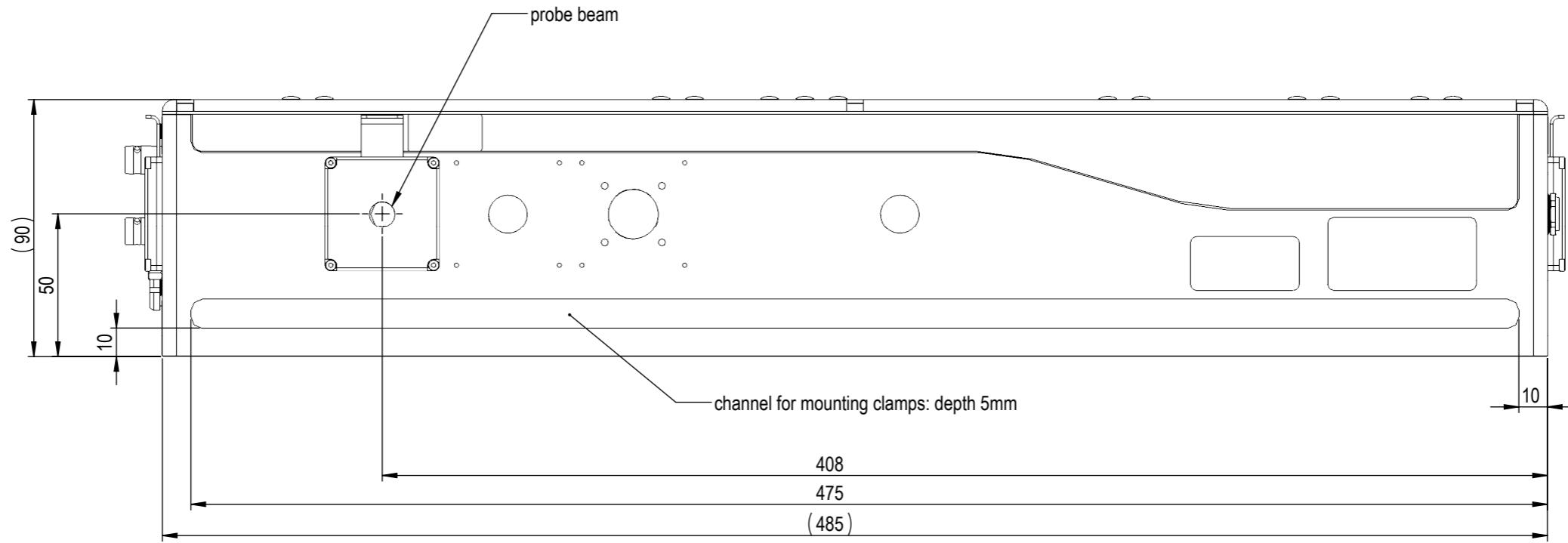
 <small>TOPTICA Photonics AG Tel.: 089-85837-0          Lochhamer Schlag 19 Fax.: 089-85837-200          82166 Grafelfing Web: www.toptica.com</small>	title	scale
	TA-SHG pro / MSHG pro	1:2
	format	A3
dimensions are in mm	general tolerance	projection
view FRONT	DIN ISO 2768 - fH	
	date	sheet
	28.05.2024	5/12


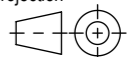
NOTE: This document is property of the company TOPTICA Photonics AG. All copyrights, trademarks, patents and other rights in connection herewith are expressly reserved to the company TOPTICA Photonics AG and no license is created hereby.



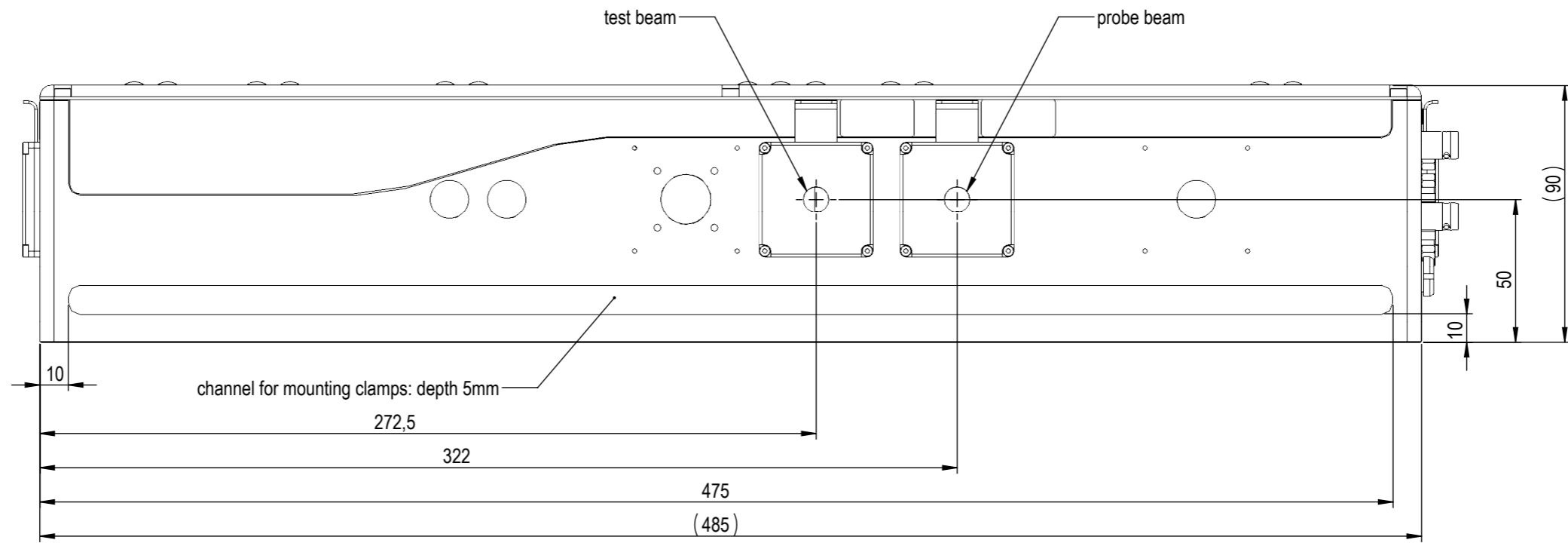
	title		scale
	TA-SHG pro / MSHG pro		1:2
<small>TOPTICA Photonics AG Tel.: 089-85837-0 Lochhamer Schlag 19 Fax.: 089-85837-200 82166 Grafelfing Web: www.toptica.com</small>	general tolerance	projection	format
dimensions are in mm view BACK	DIN ISO 2768 - fH		A3
		date	sheet
		28.05.2024	6/12


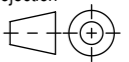
NOTE: This document is property of the company TOPTICA Photonics AG. All copyrights, trademarks, patents and other rights in connection herewith are expressly reserved to the company TOPTICA Photonics AG and no license is created hereby.



	title		scale
	TA-SHG pro / MSHG pro		1:2
<small>TOPTICA Photonics AG Tel.: 089-85837-0 Lochhamer Schlag 19 Fax.: 089-85837-200 82166 Grafelfing Web: www.toptica.com</small>	general tolerance	projection	format
dimensions are in mm view RIGHT	DIN ISO 2768 - fH		A3
		date	sheet
		28.05.2024	7/12

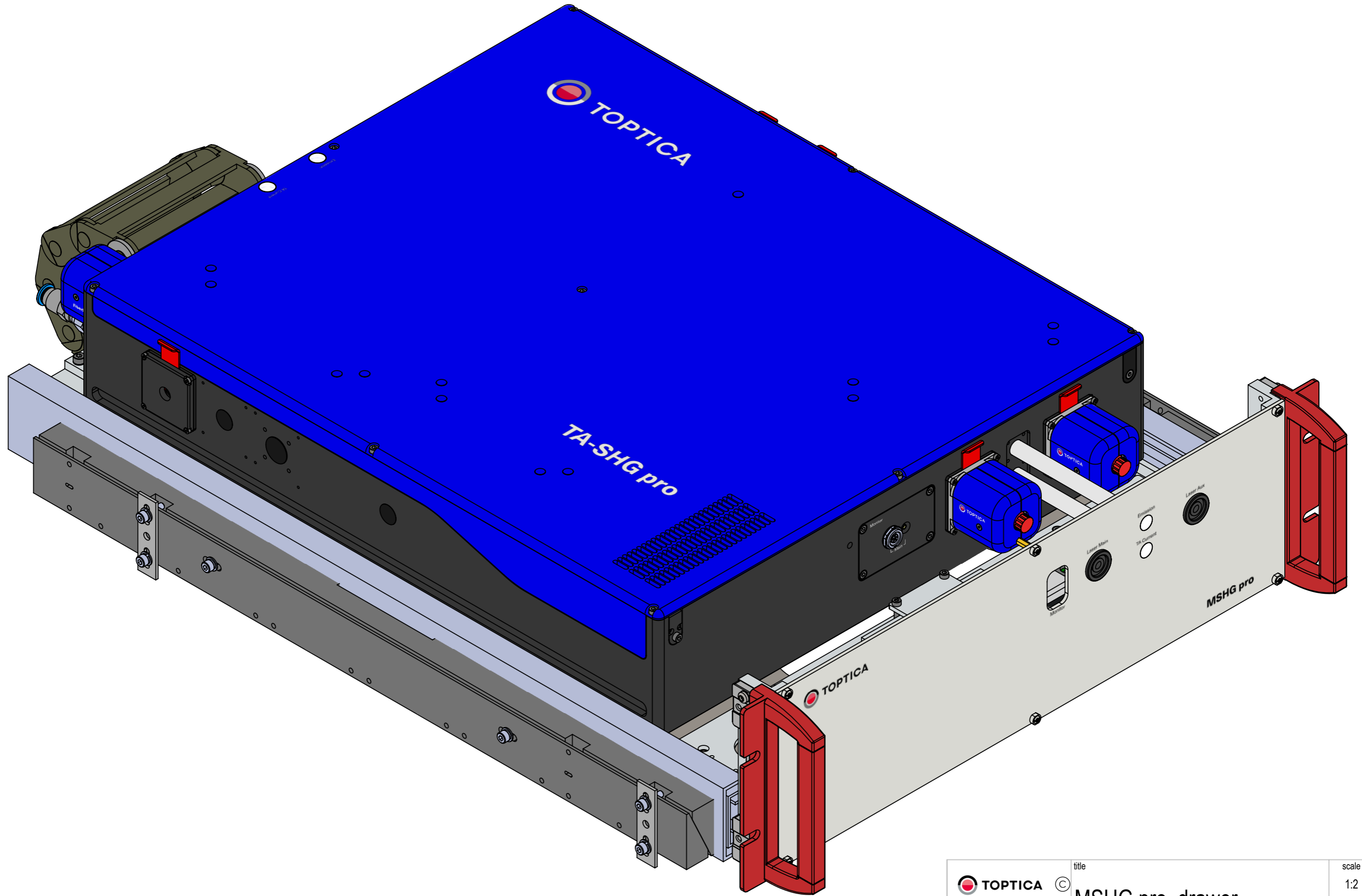
NOTE: This document is property of the company TOPTICA Photonics AG. All copyrights, trademarks, patents and other rights in connection herewith are expressly reserved to the company TOPTICA Photonics AG and no license is created hereby.


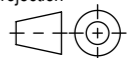


	title		scale
	TA-SHG pro / MSHG pro		1:2
<small>TOPTICA Photonics AG Tel.: 089-85837-0 Lochhamer Schlag 19 Fax.: 089-85837-200 82166 Grafelfing Web: www.toptica.com</small>	general tolerance	projection	format
dimensions are in mm view LEFT	DIN ISO 2768 - fH		A3
	date	sheet	
	28.05.2024	8/12	

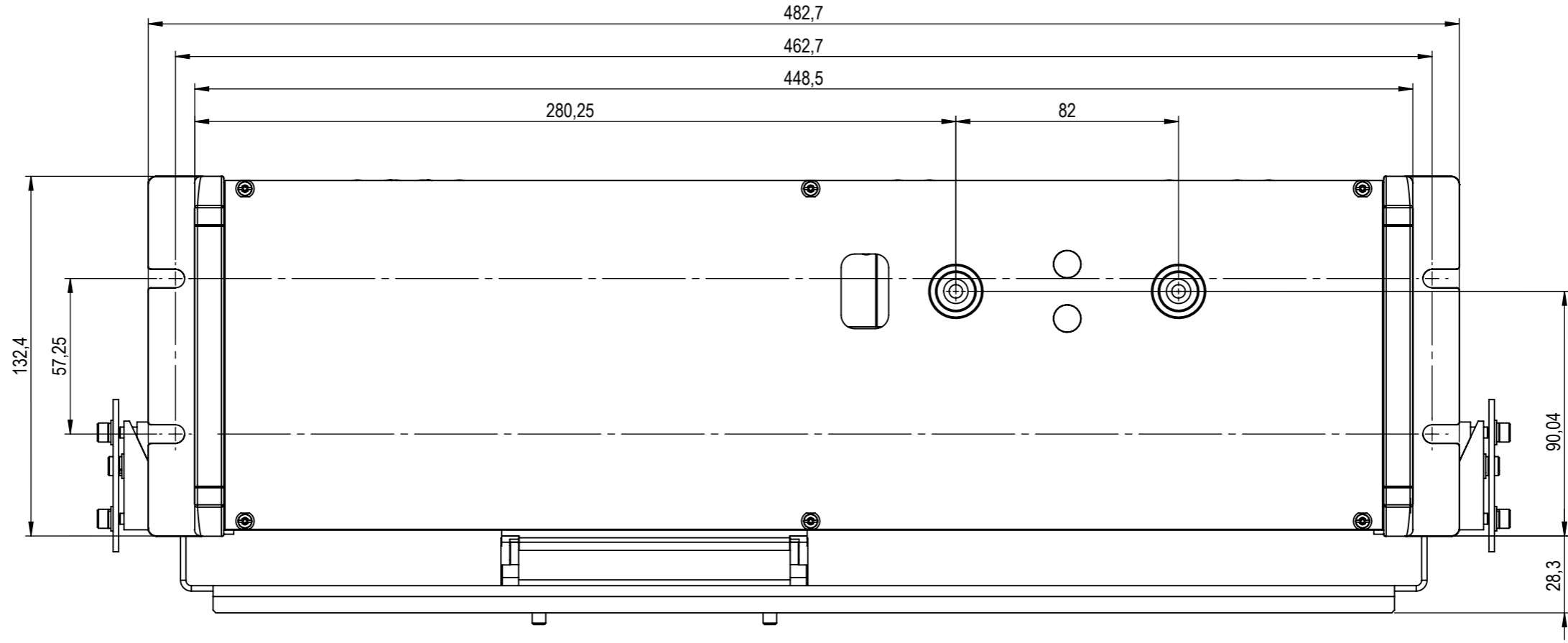


NOTE: This document is property of the company TOPTICA Photonics AG. All copyrights, trademarks, patents and other rights in connection herewith are expressly reserved to the company TOPTICA Photonics AG and no license is created hereby.



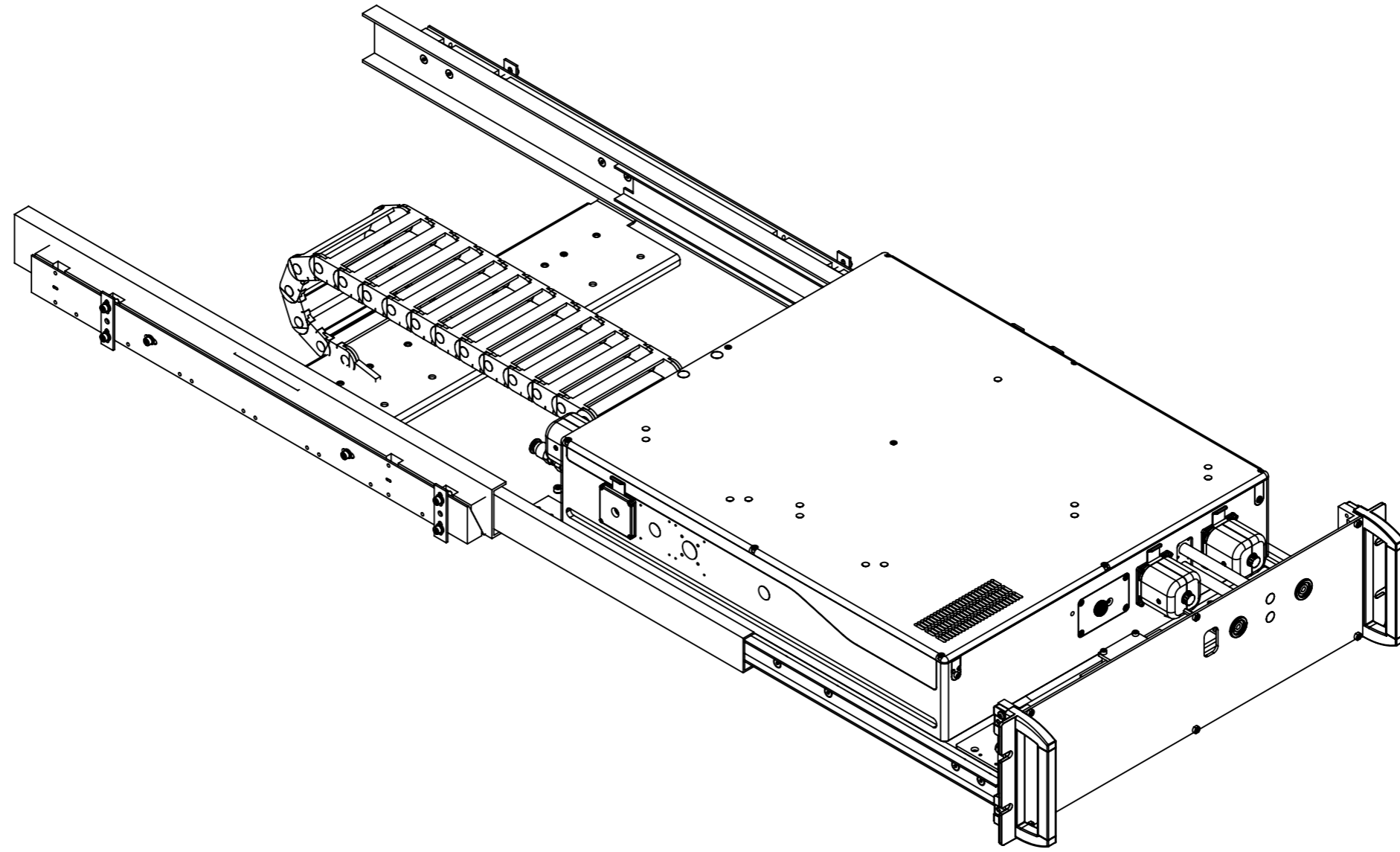
 TOPTICA Photonics AG Lochhamer Schlag 19 82166 Grafelfing	Tel.: 089-85837-0 Fax.: 089-85837-200 Web: www.toptica.com	title		scale
		MSHG pro, drawer mechanism closed		1:2
dimensions are in mm		general tolerance	projection	sheet
view	3D	DIN ISO 2768 - fH		9/12
		date	28.05.2024	


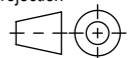
NOTE: This document is property of the company TOPTICA Photonics AG. All copyrights, trademarks, patents and other rights in connection herewith are expressly reserved to the company TOPTICA Photonics AG and no license is created hereby.



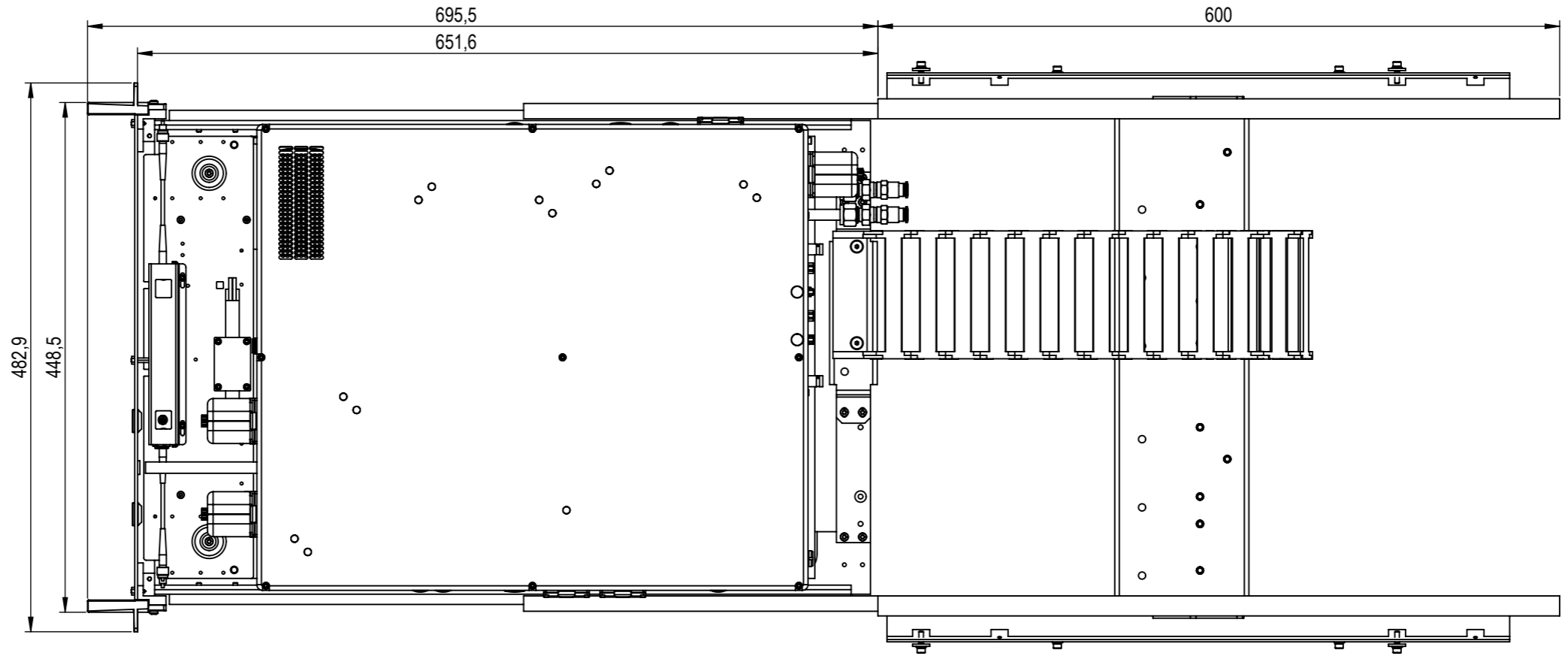
	title		scale
	MSHG pro, drawer mechanism closed		1:2
<small>TOPTICA Photonics AG Tel.: 089-85837-0 Lochhamer Schlag 19 Fax: 089-85837-200 82166 Grafelfing Web: www.toptica.com</small>	dimensions are in mm	general tolerance	format
view FRONT	DIN ISO 2768 - fh	projection 	A3
		date 28.005.2024	sheet 10/12

NOTE: This document is property of the company TOPTICA Photonics AG. All copyrights, trademarks, patents and other rights in connection herewith are expressly reserved to the company TOPTICA Photonics AG and no license is created hereby.



 TOPTICA Photonics AG Lochamer Schlag 19 82166 Grafelfing Tel.: 089-85837-0 Fax: 089-85837-200 Web: www.toptica.com	title	scale		
	MSHG pro, drawer mechanism extended	1:5		
dimensions are in mm	general tolerance	projection	date	sheet
view 3D	DIN ISO 2768 - fH		28.05.2024	11/12

NOTE: This document is property of the company TOPTICA Photonics AG. All copyrights, trademarks, patents and other rights in connection herewith are expressly reserved to the company TOPTICA Photonics AG and no license is created hereby.



	title		scale
	MSHG pro, drawer mechanism extended		1:5
<small>TOPTICA Photonics AG Tel.: 089-85837-0 Lochhamer Schlag 19 Fax.: 089-85837-200 82166 Gräfelfing Web: www.toptica.com</small>	general tolerance	projection	sheet
dimensions are in mm view TOP	DIN ISO 2768 - fH		12/12
		date	
		28.05.2024	