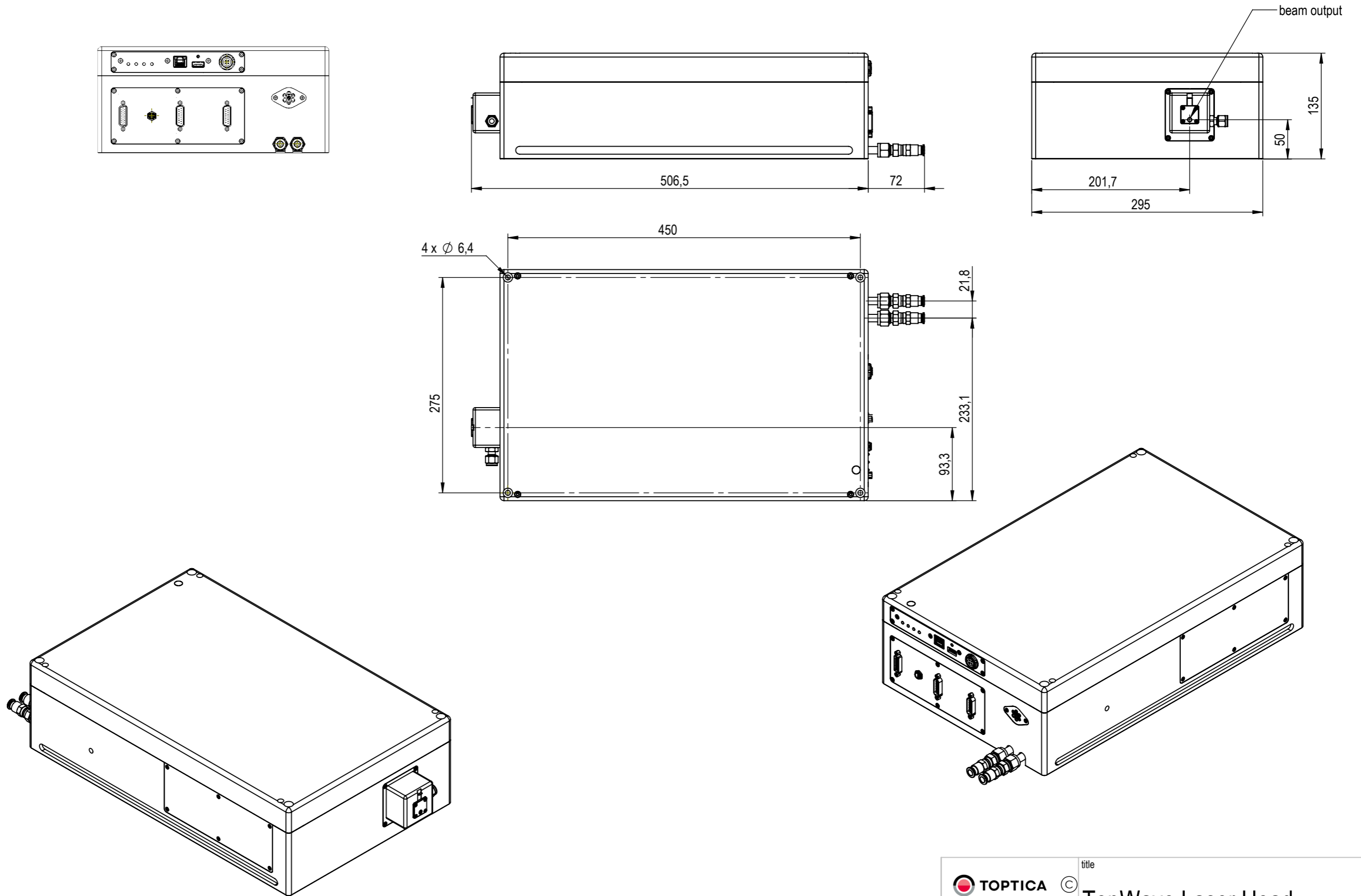

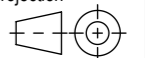


NOTE: This document is property of the company TOPTICA Photonics AG. All copyrights, trademarks, patents and other rights in connection herewith are expressly reserved to the company TOPTICA Photonics AG and no license is created hereby.



	title		scale
	TopWave Laser Head		1:1
<small>TOPTICA Photonics AG Tel.: 089-85837-0 Lochhamer Schlag 19 Fax.: 089-85837-200 82166 Grafelfing Web: www.toptica.com</small>	general tolerance	projection	sheet
<small>dimensions are in mm</small> view Ansichten	DIN ISO 2768 - mK		27.06.2024 1/1