
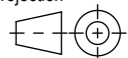
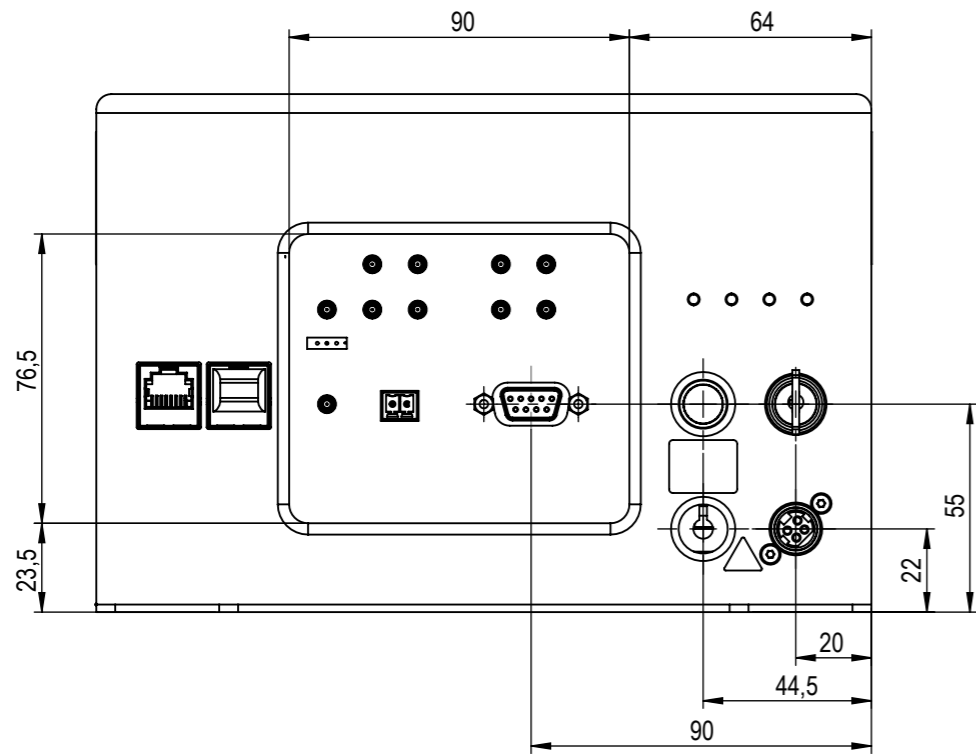
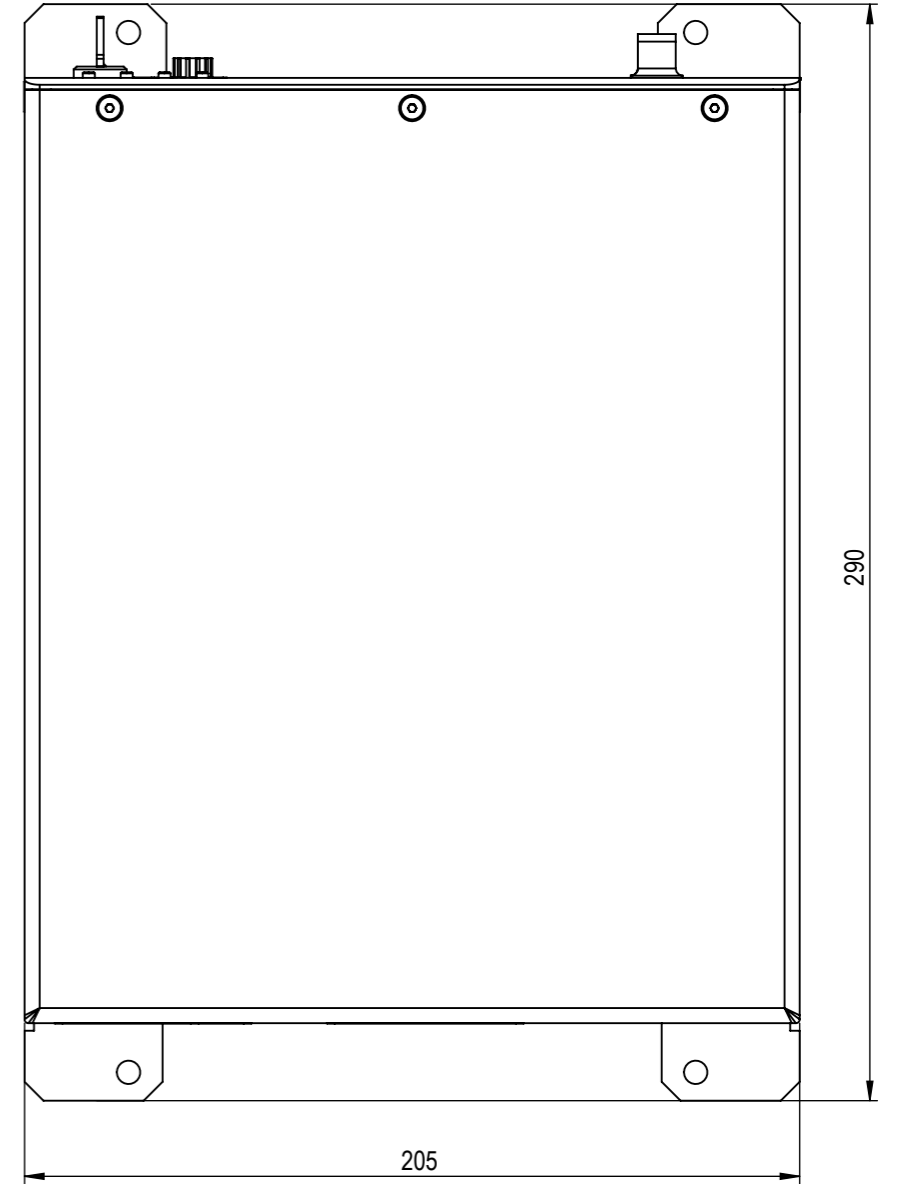
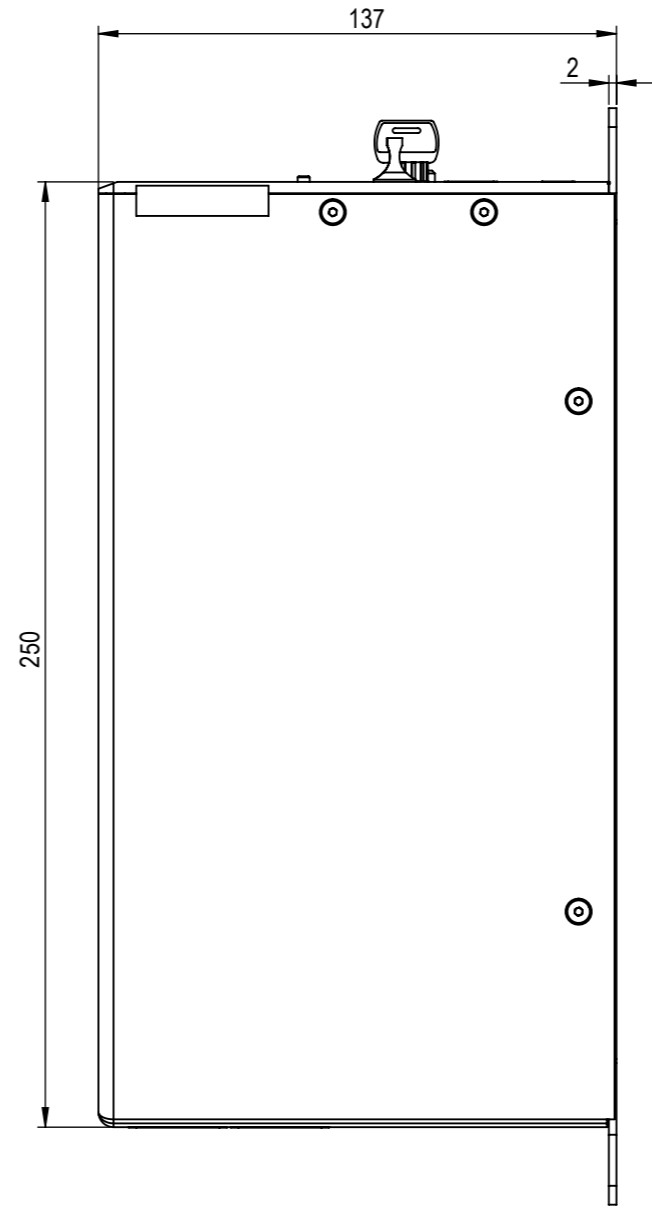
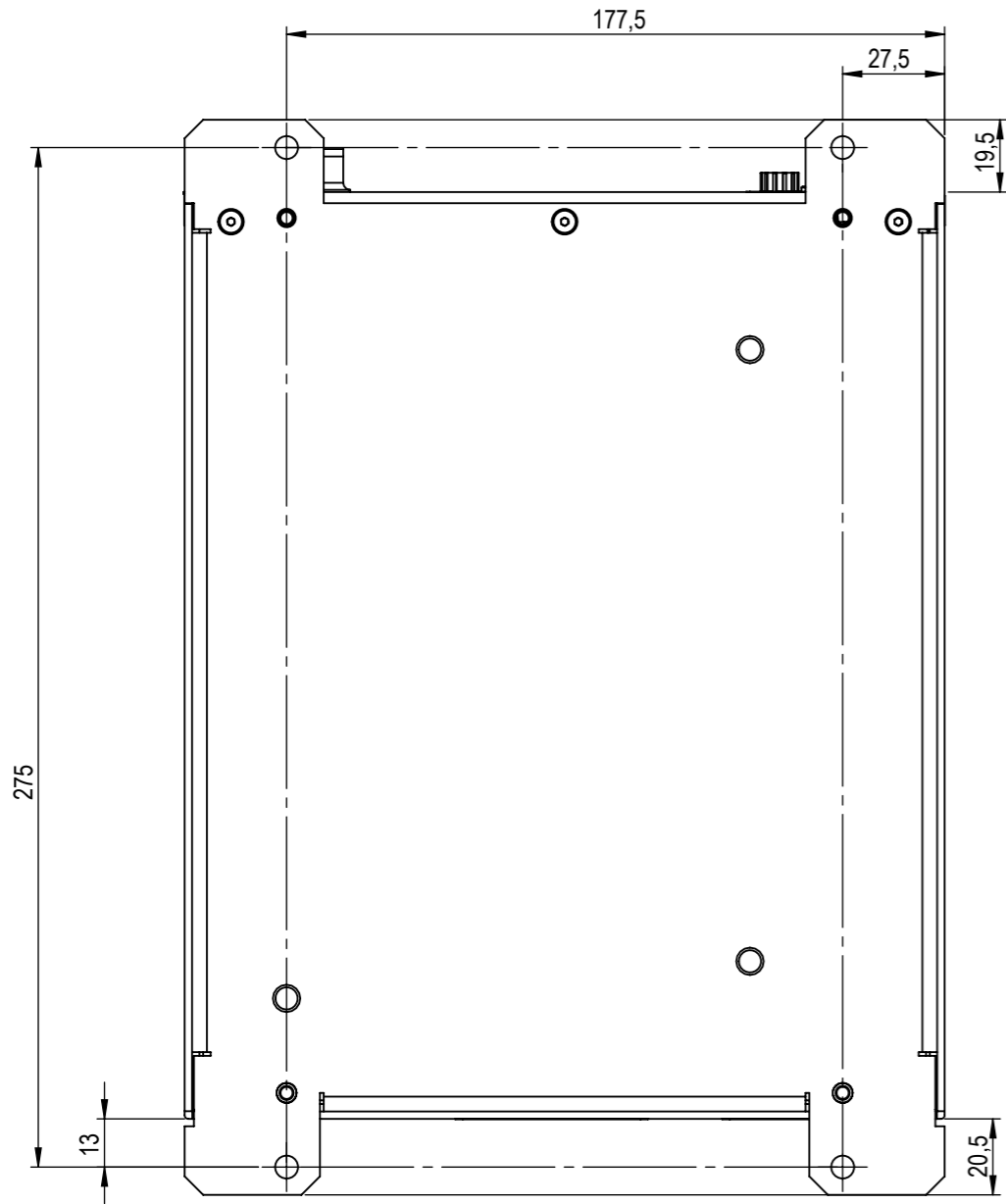



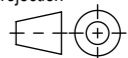
NOTE: This document is property of the company TOPTICA Photonics AG. All copyrights, trademarks, patents and other rights in connection herewith are expressly reserved to the company TOPTICA Photonics AG and no license is created hereby.



	title		scale
	iChrome CLE 50		1:1
<small>TOPTICA Photonics AG Tel.: 089-85837-0 Lochhamer Schlag 19 Fax.: 089-85837-200 82166 Grafelfing Web: www.toptica.com</small>	general tolerance	projection	format
<small>dimensions are in mm</small> view 3D	DIN ISO 2768 - mK		A3
	date	sheet	
	04.04.2024	1/2	

NOTE: This document is property of the company TOPTICA Photonics AG. All copyrights, trademarks, patents and other rights in connection herewith are expressly reserved to the company TOPTICA Photonics AG and no license is created hereby.



	title		scale
	iChrome CLE 50		1:2
<small>TOPTICA Photonics AG Tel.: 089-85837-0 Lochhamer Schlag 19 Fax: 089-85837-200 82166 Gräfelfing Web: www.toptica.com</small>	general tolerance	projection	sheet
<small>dimensions are in mm</small> view all	DIN ISO 2768 - mK		2/2
		date	
		04.04.2024	