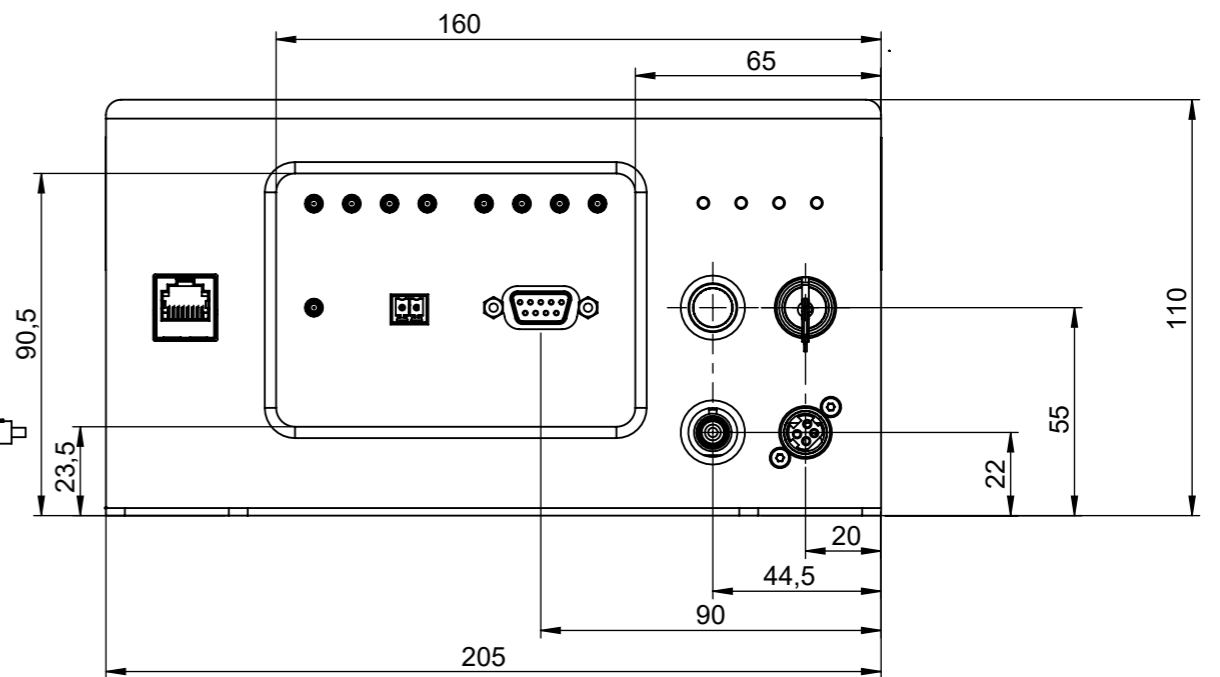
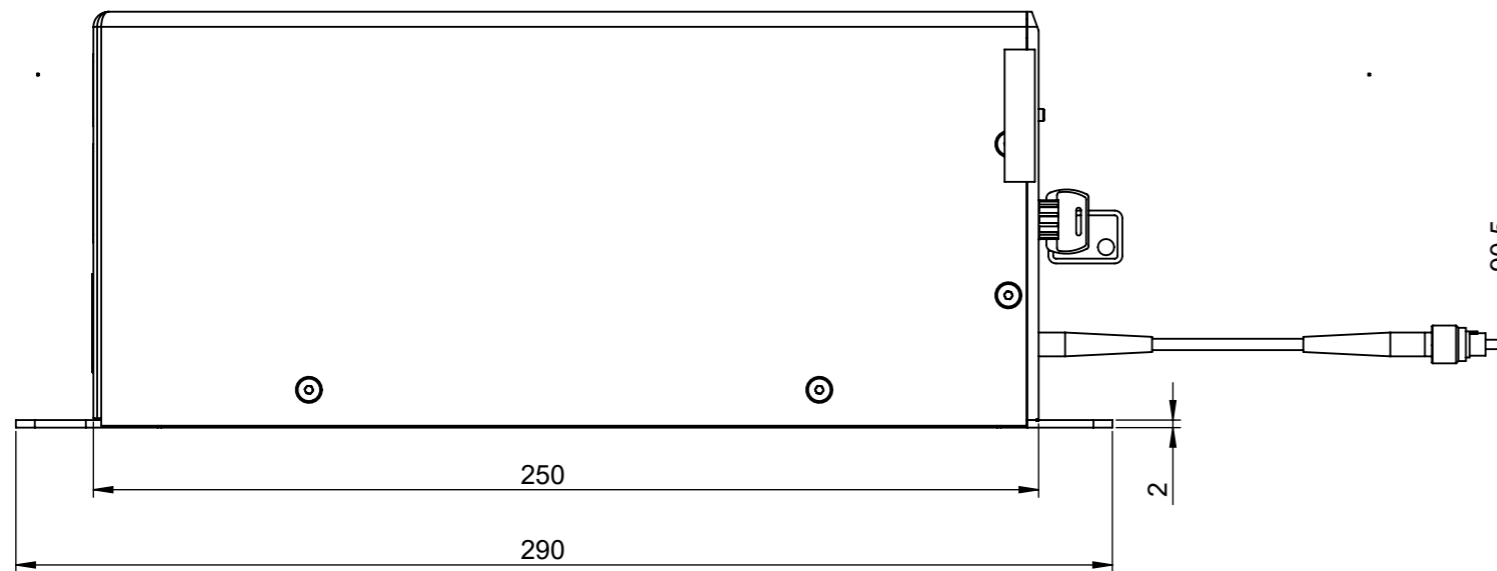
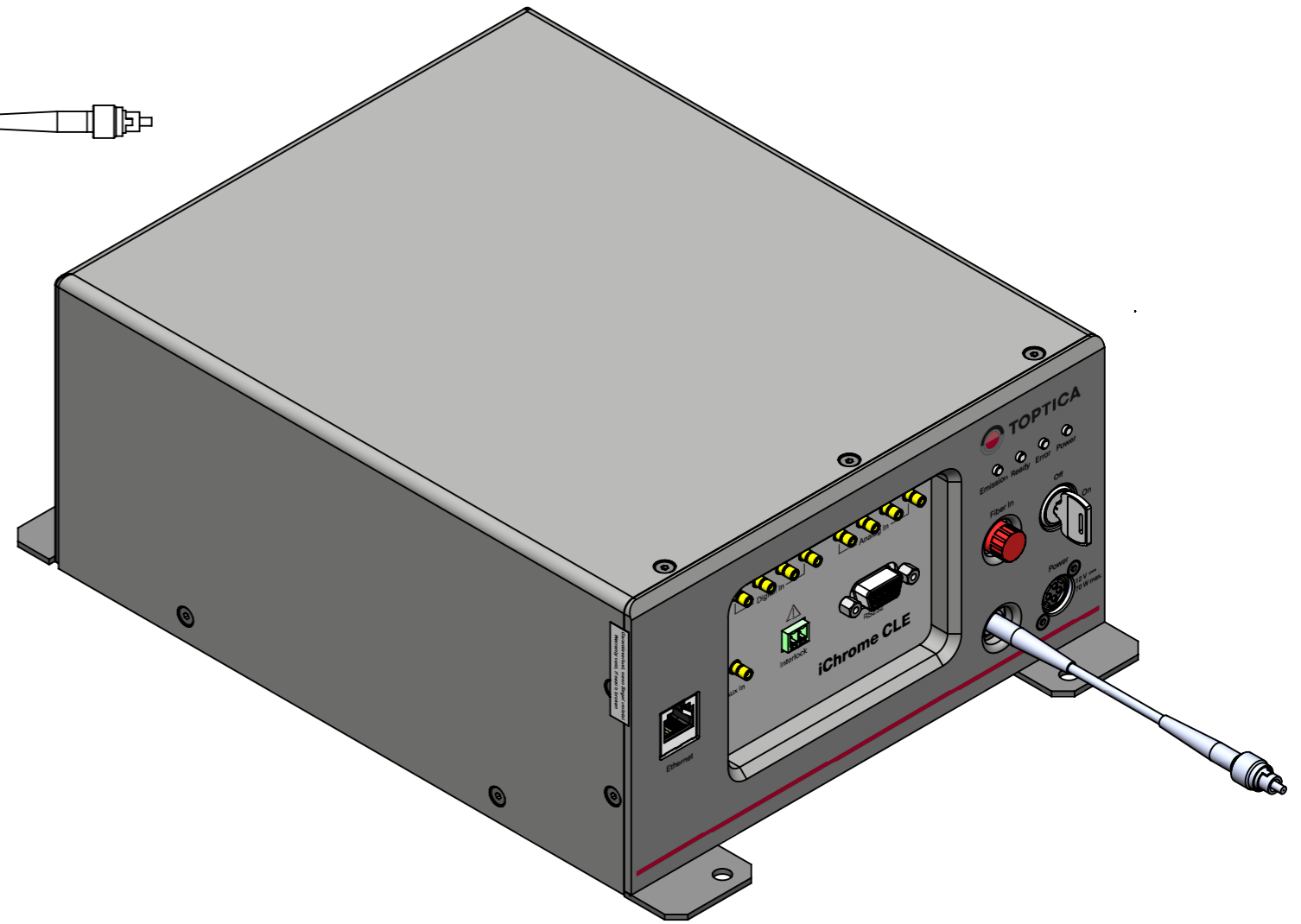
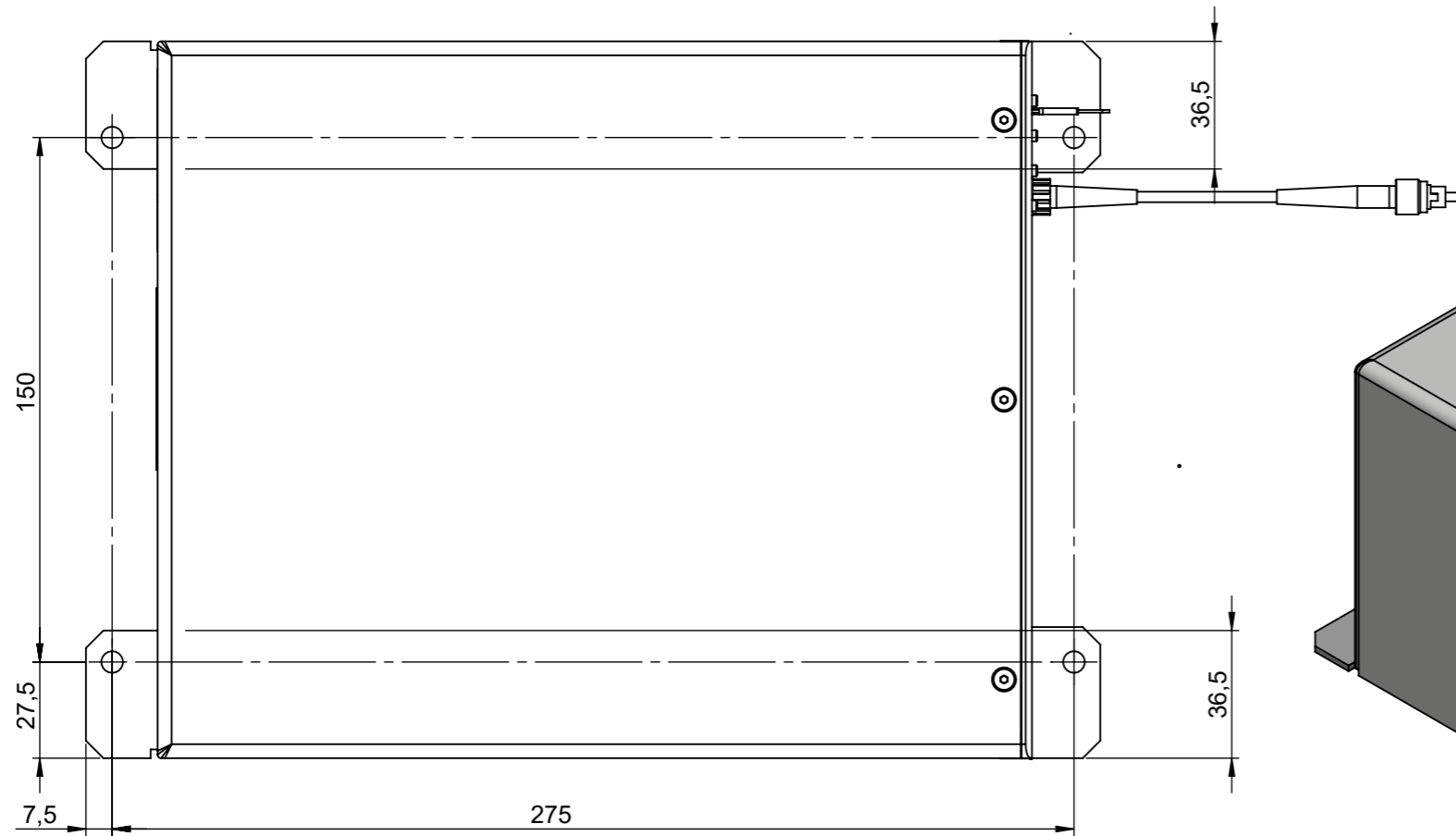


NOTE: This document is property of the company TOPTICA Photonics AG. All copyrights, trademarks, patents and other rights in connection herewith are expressly reserved to the company TOPTICA Photonics AG and no license is created hereby.



	title		scale
	iChrome CLE		1:2
TOPTICA Photonics AG Tel.: 089-85837-0 Lochhamer Schlag 19 Fax.: 089-85837-200 82166 Grafelfing Web: www.toptica.com	format		A3
dimensions are in mm view all	general tolerance DIN ISO 2768 - fh	projection 	date 13.03.2024
			sheet 1/1